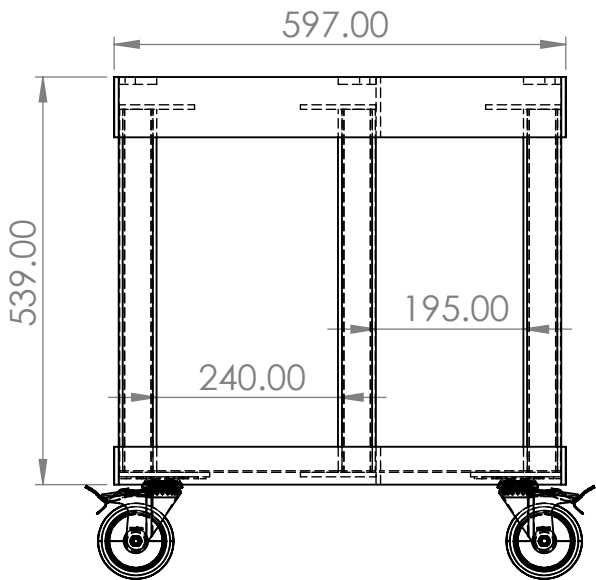


ITEM NO.	PART NUMBER	QTY.
1	Table top assembly	1
2	Table base assembly	1
3	leg 50x50	6
4	09_OUTBAY-FLOOR_x1_2mm_INOX	1
5	BDPE 1001 1001 P	4
6	08_ENDPANEL_x3_2mm_INOX	3
7	10_CONTROLBAY-FLOOR_x1_2mm_INOX	1



UNLESS OTHERWISE SPECIFIED: DIMENSIONS ARE IN MILLIMETERS SURFACE FINISH: TOLERANCES: LINEAR: ANGULAR:			FINISH:		DEBURR AND BREAK SHARP EDGES		DO NOT SCALE DRAWING		REVISION	
DRAWN			SIGNATURE		DATE		TITLE:			
CHK'D										
APPV'D										
MFG										
Q.A					MATERIAL:		DWG NO.		A4	
							600_TableAssembly			
					WEIGHT:		SCALE:1:20		SHEET 1 OF 1	