



Sheetpress - Cell

Shredder and extrusion combo. Easy to transport and ideal for a educational context and small enterprises.

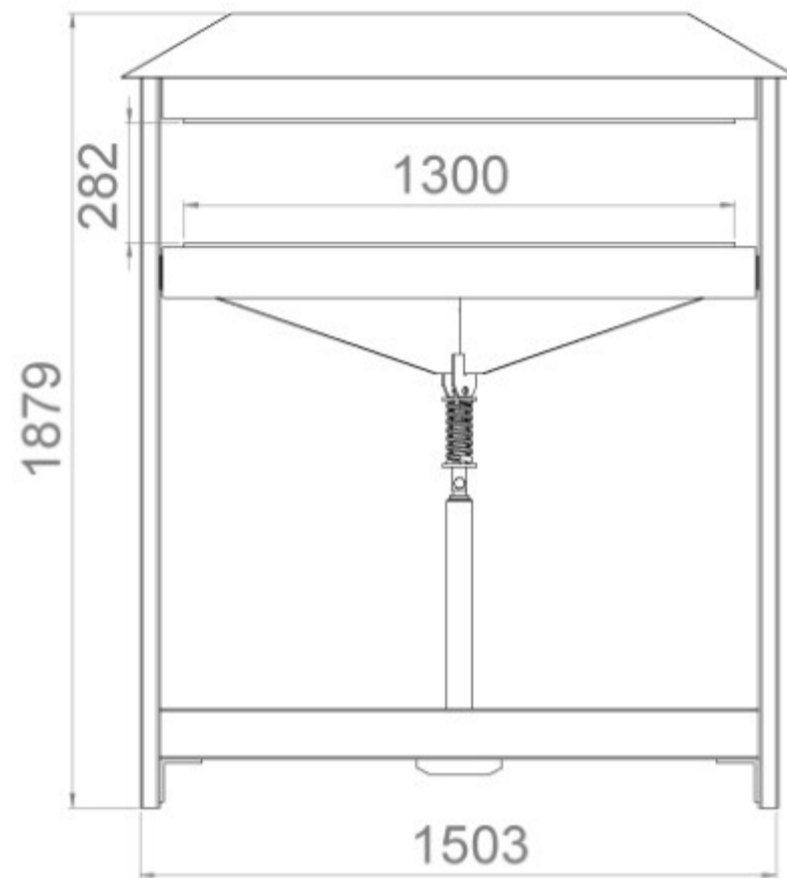
Specifications

Type:	Sheetpress
Version:	1.3
Status:	Tested
Sheet - size:	1.20 x 1.20 meter
Based on:	PP Eindhoven Sheetpress
Authors	<ul style="list-style-type: none"> • PlasticHub S.L. • PrecisousPlastic - Eindhoven • David Basetti - 3D Seed • Dan Shirley - Timberstar
Weight	480kg
Voltage	400V
AMP	32A
Power	15kW
Input Flake Size	Large, Medium, Small
Max Running Time	8 hours per day
Max temperature	300 °C
Tested Plastics	HDPE, LDPE, PP, PS
Input Between Plates	300mm
Range of Sheet Thickness	4 - 35mm
Sheets Per Day (12mm)	3
Sheets Per Day with full system (12mm)	10

Resources

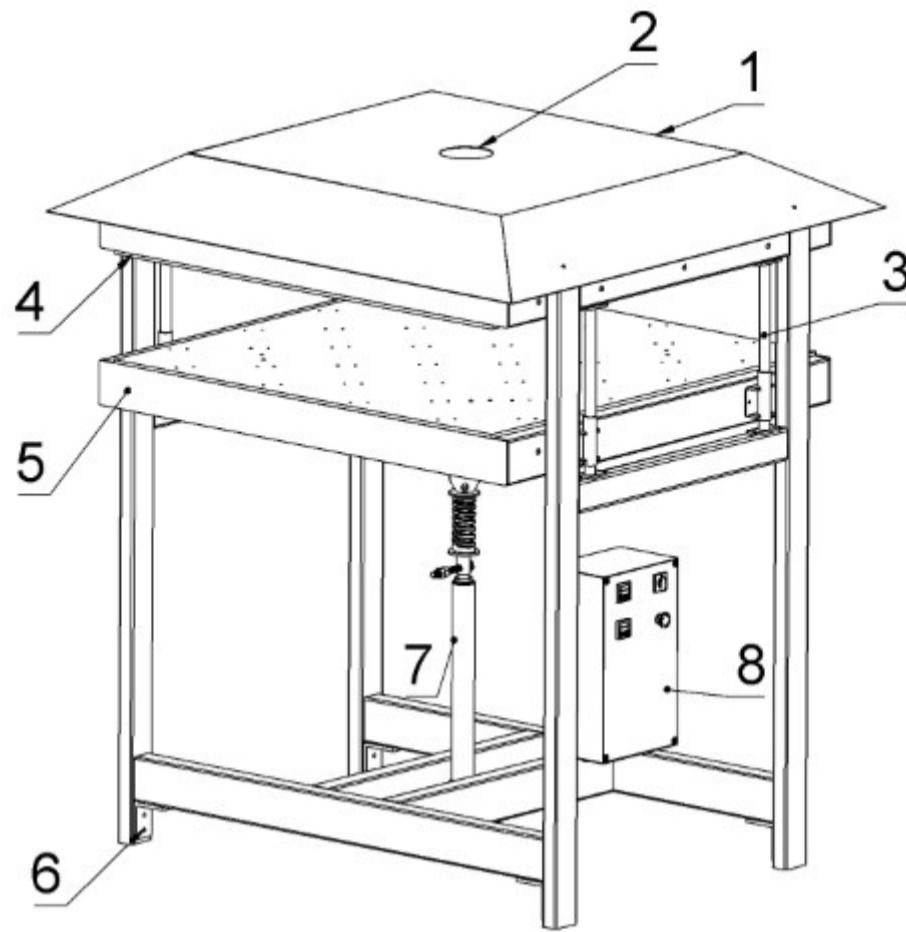
Details

Dimensions



[Download Drawing](#)

Components



[Download Drawing](#)

Part Nr.	Description	Configuration
1	Fume Hood	Basic & Large
2	Fume Exhaust Fan	
3	Rails	25mm Diameter
4	Upper Press Plate	1.30m 25 cartridge heaters
5	Lower Press Plate	1.30m 25 cartridge heaters
6	Assembly Brackets	M10 Bolts
7	Car Jack	8 Tons
8	Controller	Basic Emergency Switch Inkbird 100VH

Performance
