

Sheetpress 'Cassandra'

Small sheetpress. Currently in development.

Specifications

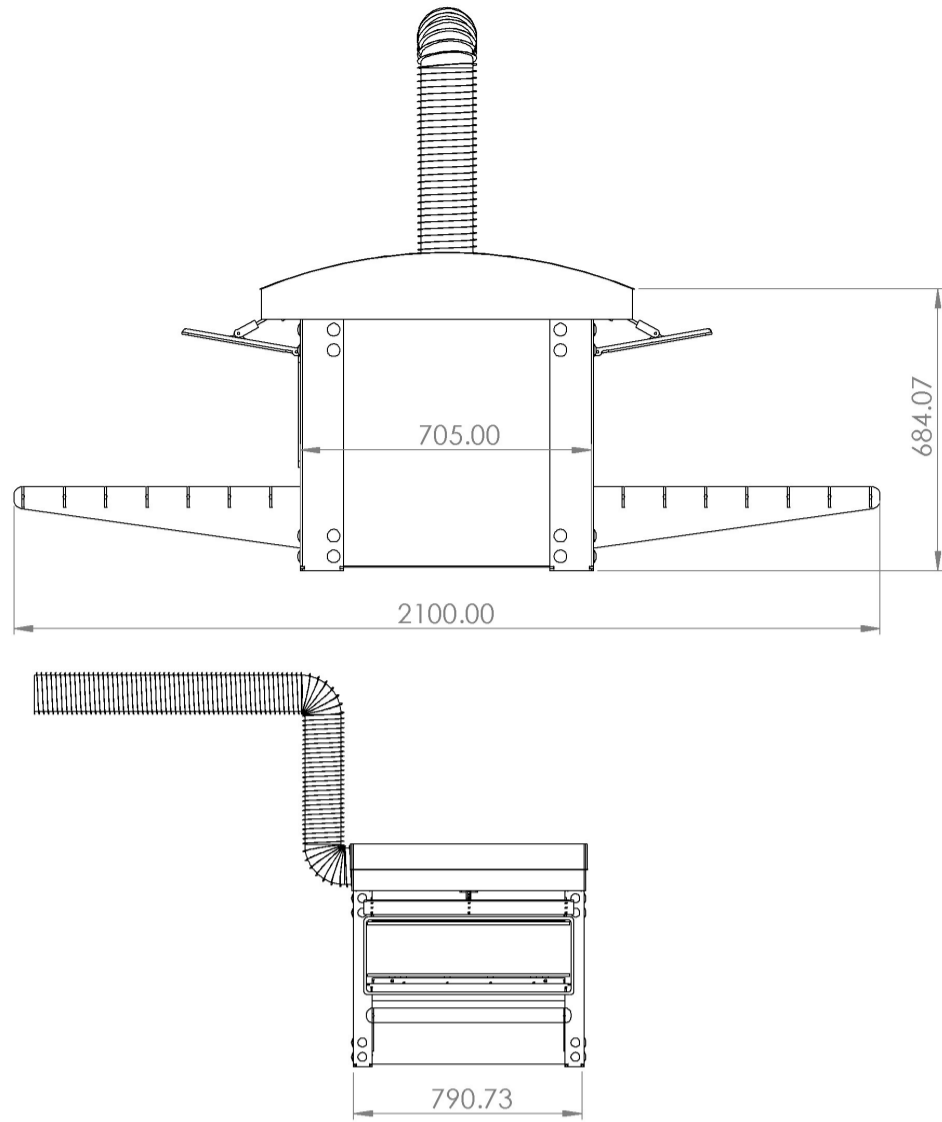
Type	Sheetpress
Version	0.1
Weight	80 - 120 Kg
Voltage	380V
Status	Development / Testing
Sheet Size	60 x 60 cm
Plate Size	70 x 70 cm
Pressure	4 tons
Input Flake Size	Medium, Small
Gearbox ratio	1:15
Maximum Temperature	300 DegC
Heaters	300 Watt x 32 (10kW)

Resources

[3D Preview](#)

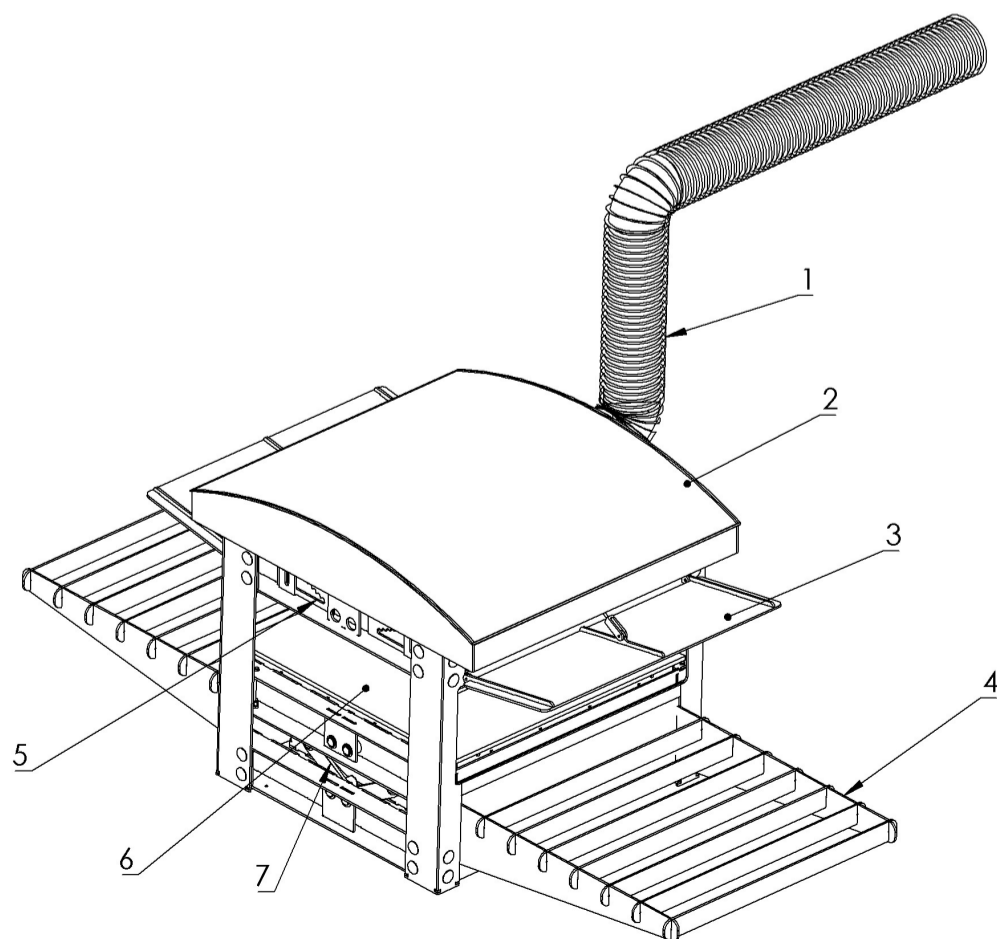
Details

Dimensions



[Download Drawing](#)

Components



[Download Drawing](#)

Part Nr.	Description	Configuration
1	Fume Exhaust Pipe	Optional
2	Fume Hood	Integrated fan
3	Doors	Spring loaded
4	Loader rollers	Optional
5	Sheet thickness adjuster	5cm
6	Heatplate	10mm 5038 precision Aluminium
7	Lift Links	

Performance
