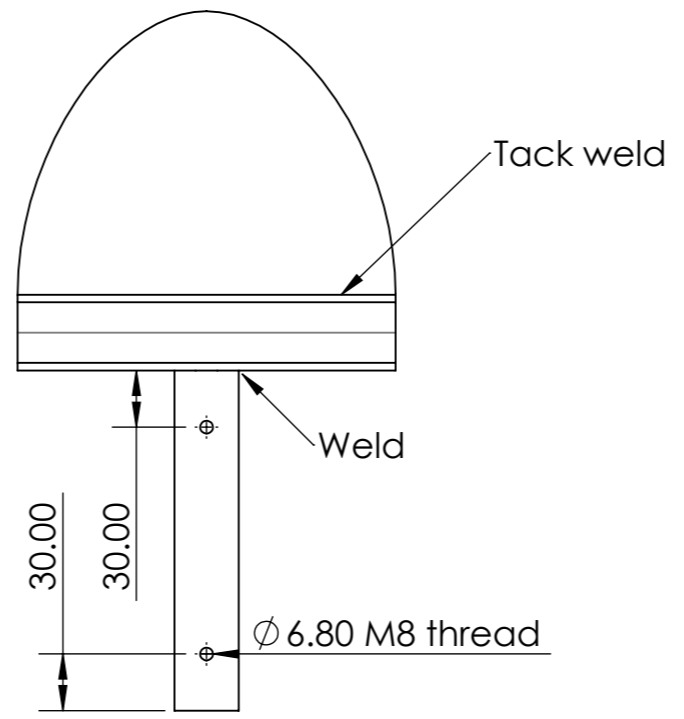
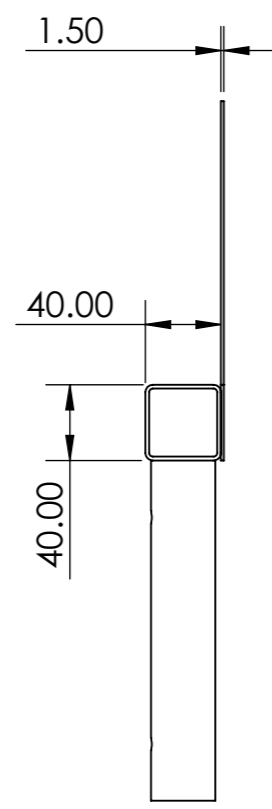
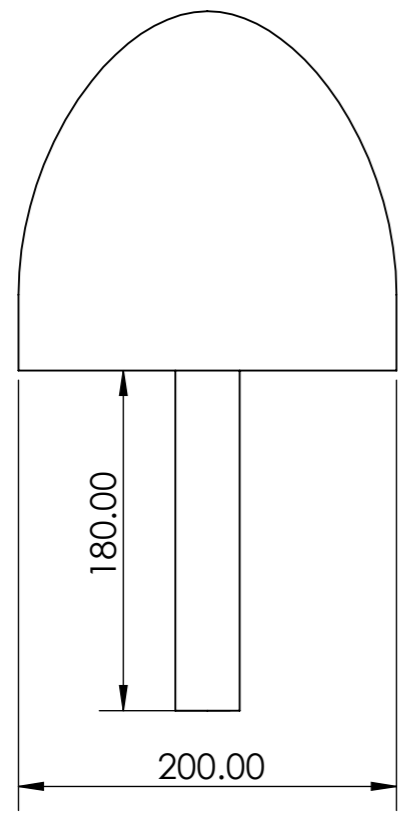
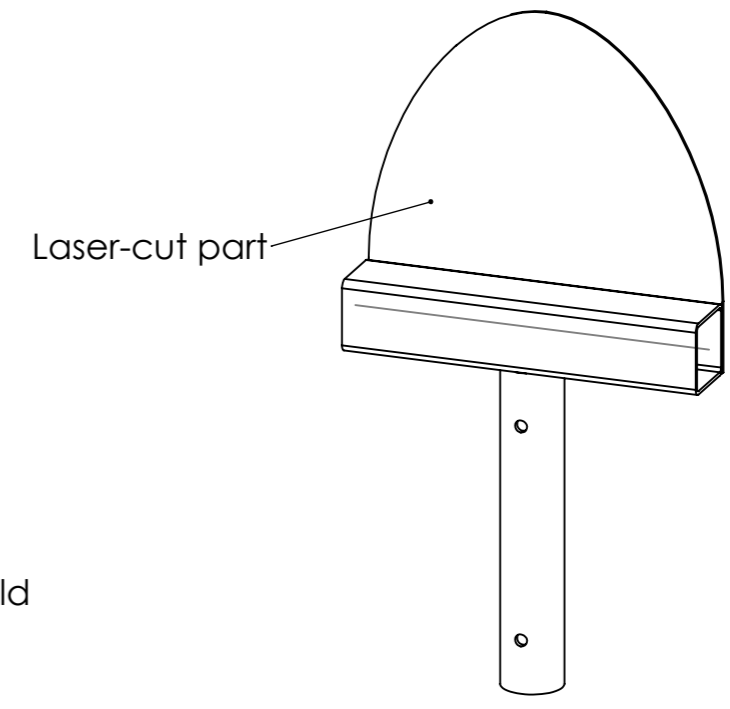
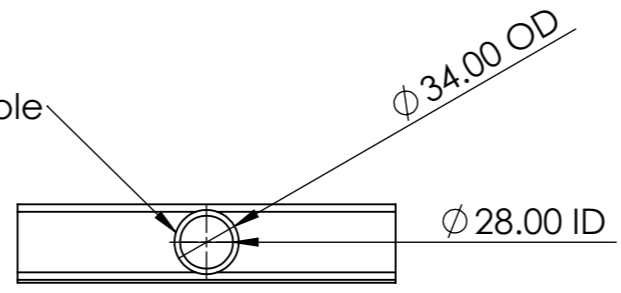


8 7 6 5 4 3 2 1

F F

Pipe dimensions not critical
Use cut-offs from SPR if possible

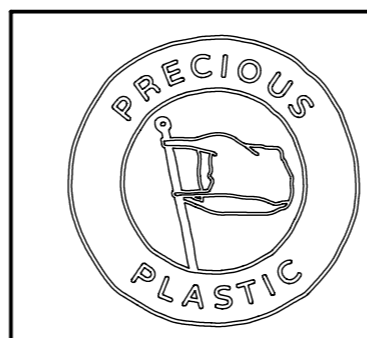


D D

C C

B B

A A



Weight 1		kg		Material Carbon steel			
Machine Accessories			Description Sliding tool				
Projection method: First angle		Release date 09/2020		Drawing no. N/A			
General tolerances ISO 2768-m		Doc. type Part	Units unless specified mm	Sheet size A3	Scale 1:4	Sheet 1/1	

8 7 6 5 4 3 2 1