

6

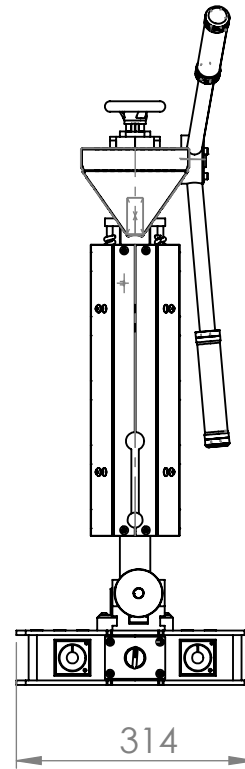
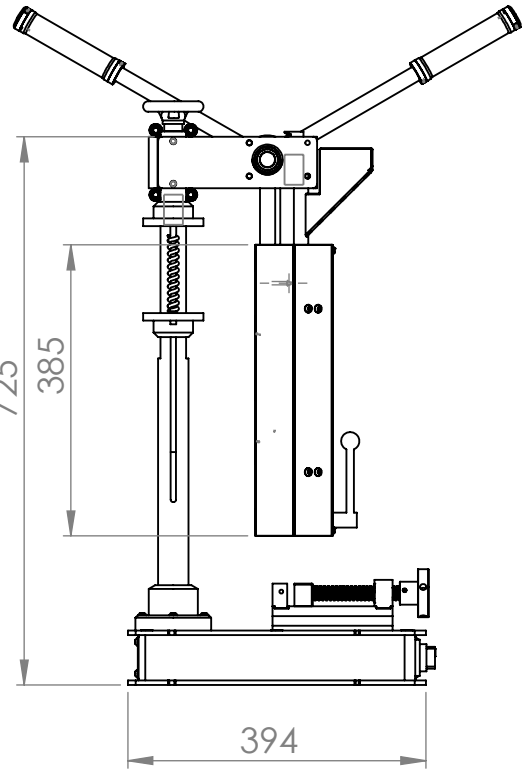
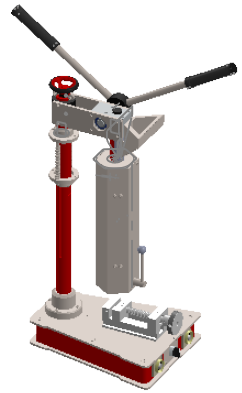
5

4

3

2

1



UNLESS OTHERWISE SPECIFIED: DIMENSIONS ARE IN MILLIMETERS SURFACE FINISH: TOLERANCES: LINEAR: ANGULAR:			FINISH:		DEBURR AND BREAK SHARP EDGES		DO NOT SCALE DRAWING		REVISION	
DRAWN			SIGNATURE		DATE		TITLE:			
CHK'D										
APPV'D										
MFG										
Q.A					MATERIAL:		DWG NO.		A4	
							dimensions			
					WEIGHT: 15763.35		SCALE: 1:20		SHEET 1 OF 1	

D

D

C

C

B

B

A

A

6

5

4

3

2

1