

6

5

4

3

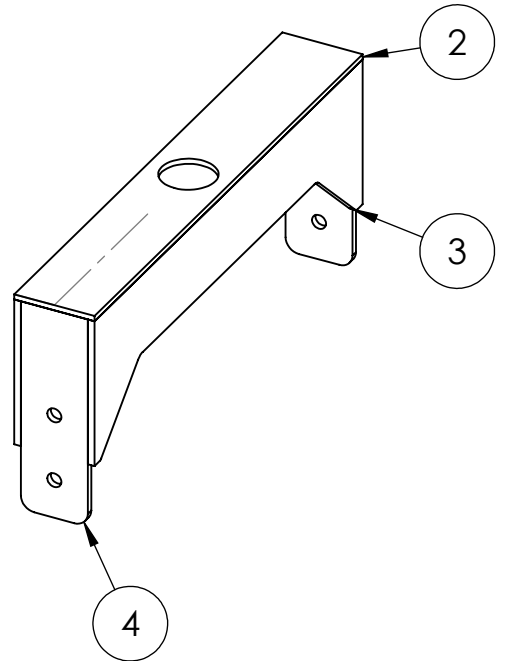
2

1

ITEM NO.	PART NUMBER	QTY.
1	Bar	1
2	201_Top_1x_4mm_FERRO	1
3	202_Front_2x_4mm_FERRO	2
4	203_Side_2x_4mm_FERRO	2
5	204_Bottom_1x_4mm_FERRO	1

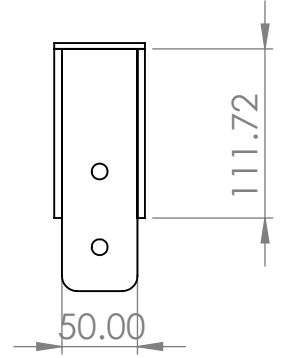
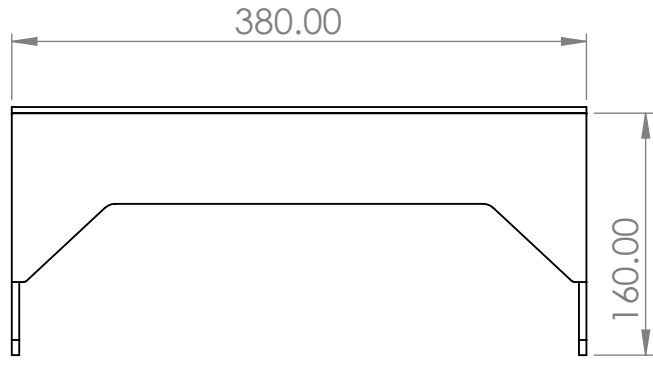
D

D



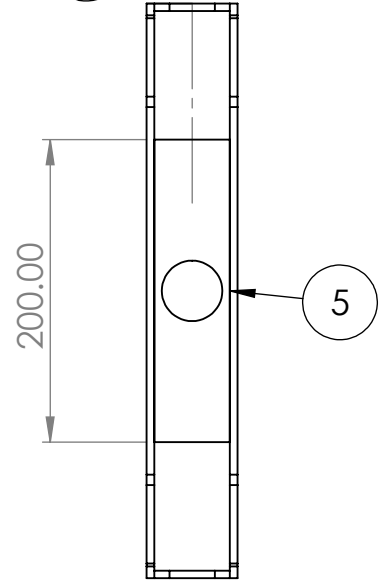
C

C



B

B



A

A

UNLESS OTHERWISE SPECIFIED: DIMENSIONS ARE IN MILLIMETERS SURFACE FINISH: TOLERANCES: LINEAR: ANGULAR:				FINISH:		DEBURR AND BREAK SHARP EDGES		DO NOT SCALE DRAWING		REVISION	
DRAWN				NAME		SIGNATURE		DATE		TITLE:	
CHK'D											
APPV'D											
MFG											
Q.A								MATERIAL:		DWG NO.	
										200_MiddleBar	
										A4	
								WEIGHT:		SCALE:1:5	
										SHEET 1 OF 1	

6

5

4

3

2

1