

## Extrusion & Shredder Combo 'Zoe'

Shredder and extrusion combo. Easy to transport and ideal for an educational context and small enterprises.

## Specifications

Type:	Combination (Shredder & Extrusion)
Version:	3.3
Status:	Mature
License	<a href="#">CERN Open Source Hardware License</a>
Authors	<ul style="list-style-type: none"><li><a href="#">PlasticHub S.L.</a></li><li><a href="#">PreciousPlastic - Eindhoven</a></li><li><a href="#">Dan Shirley - Timberstar</a></li></ul>
Weight	110 kg
Blade width	6 mm
Voltage	220V   380V
AMP	7.8A
Nominal Torque	240 Nm
Output Speed	±70 r/min

## Resources

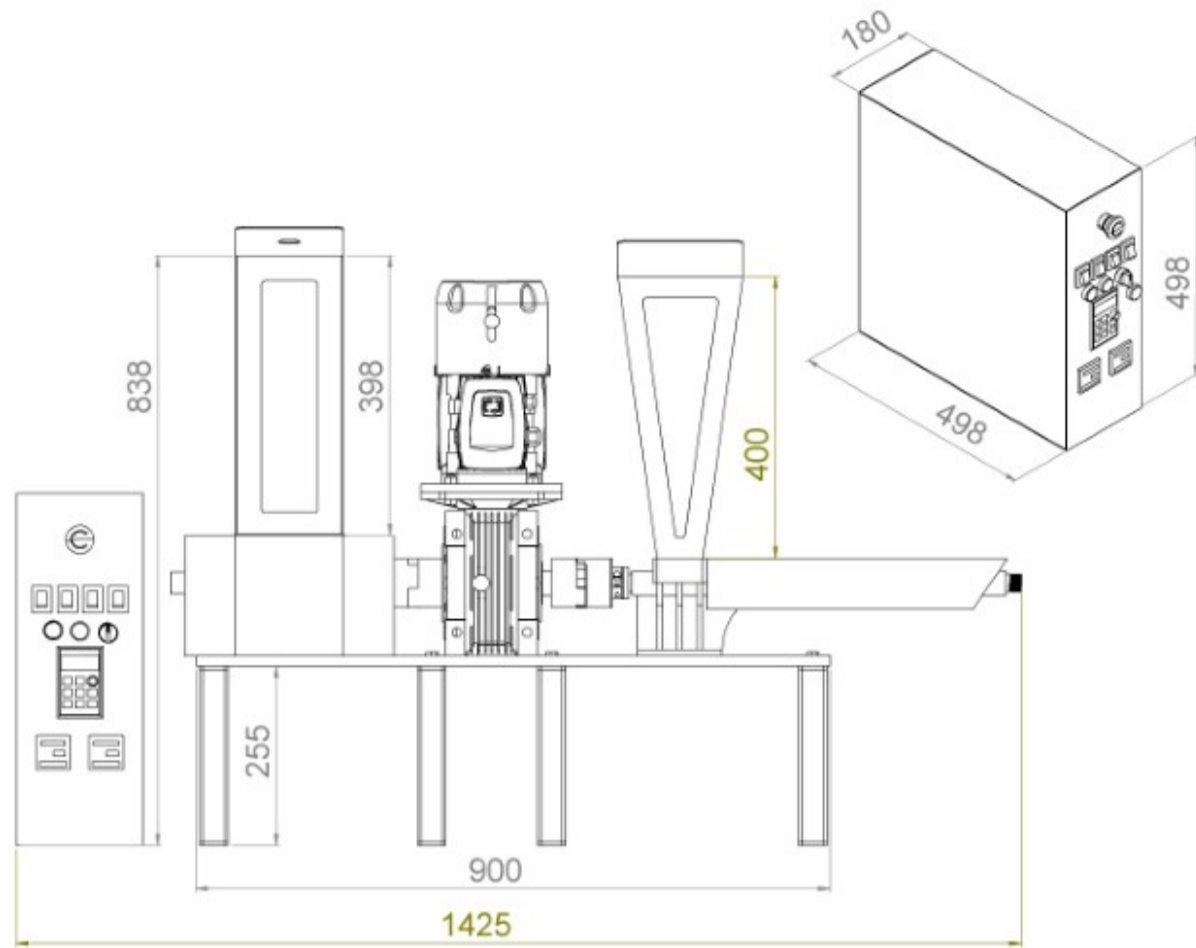
[3D Preview](#)

[Wiki](#)

[Download](#)

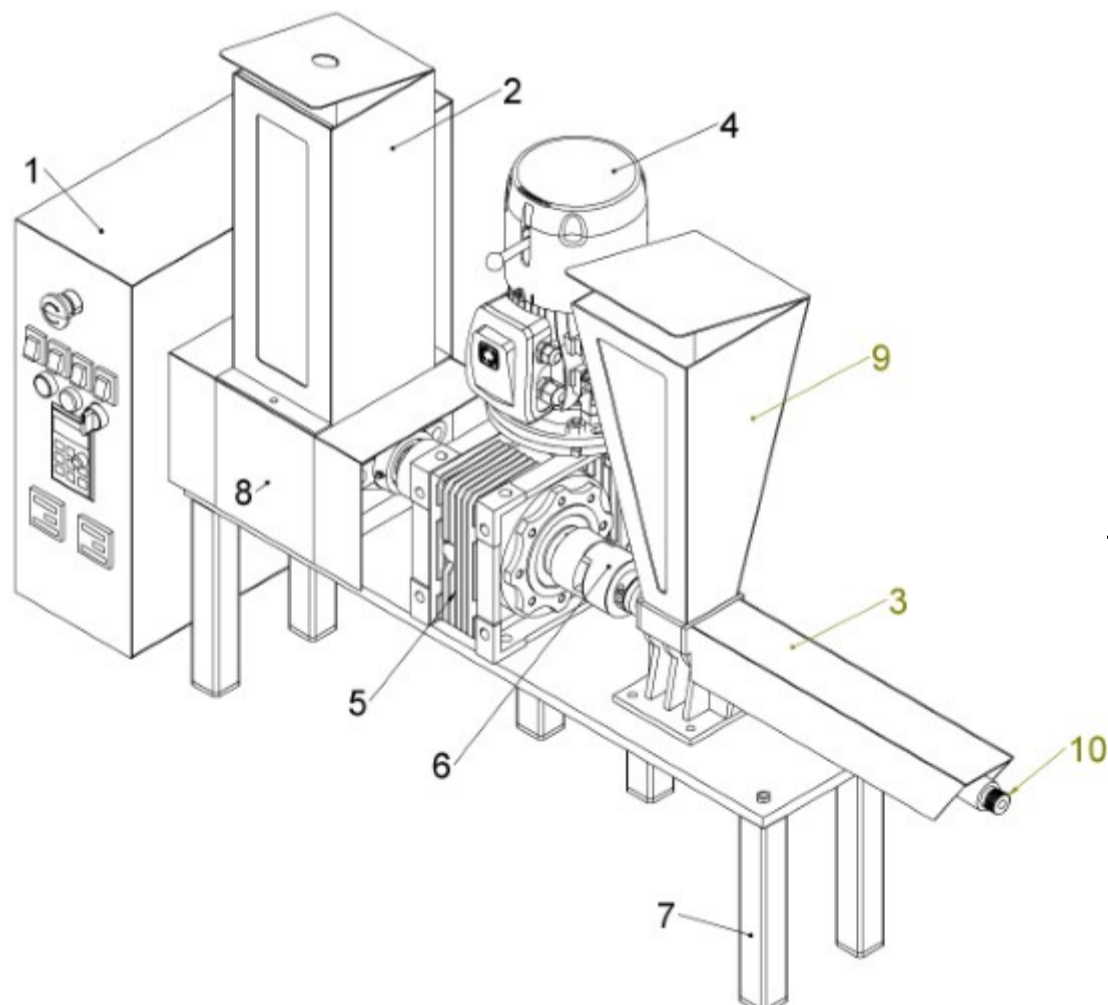
## Details

## Dimensions



[Download Drawing](#)

## Components



[Download Drawing](#)

Part Nr.	Description	Configuration
1	<u>Controller Hal9000</u>	Advanced   Auto-Reverse   Auto-Stop
2	Shredder Hopper	2mm Stainless   40 cm high
3	<u>Extrusion</u>	Basic (v3.2)
4	<u>Motor</u>	2.2KW   1480 RPM   220V or 380 V
5	<u>Reducer</u>	MRV90 1:30
6	Couplings	Custom Jaw Spider & Rubber filling
7	Legs	40 x 40 mm   20 cm long
8	<u>Shredder</u>	Upgraded v3 Shredder   32mm hexbar   30mm shaft - keyed
9	<u>Extrusion Hopper</u>	2mm Stainless   Window   Quick-Release   Cooling-Ribs

---

## Performance

---